

Product Catalogue 2018

Industrial Pumps & Metering Systems



TABLE OF CONTENTS

Applications	4
Pump Packages	5
Drum Pump Motors	9
Pump Tubes (PPS, PP CPVC, PHT, PVDF)	11
Performance Curves for Centrifugal Pumps	16
Pump Tubes (SS, AL)	17
Motor & Tube Assembly Details	19
SP-MINI Series	20
SPE Barrel Mixers	21
Hand Pumps	22
Accessories For Centrifugal Pumps	23
Heating Jackets (AtEx incl.) for 200 ltr. drums and 1000 ltr. IBC	25
Progressive Cavity Pumps and Lifting Device Systems	27
SP-700SR Progressive Cavity Series	28
SP-700DD Progressive Cavity Series	29
Lifting Device Systems for Drum Pumps and Motors	31
Motors for SP-700DD Pumps	32
Accessories for Progressive Cavity Pumps	33
Metering Systems	34
Batch Control System – ELECTRIC (Low Viscosity)	35
Batch Control System – ELECTRIC (High Viscosity)	36
Batch Control System – AIR (Low Viscosity)	37
Batch Control System – AIR (High Viscosity)	38
Turbine Flow Meters	39
Oval Gear Flow Meters	40
PlusAir– the brand of air-operated double diaphragm (AODD) pumps	41
Systems	42
Pure Pump	43

MARKETS SERVED



AUTOMOTIVE



WASTE WATER
TREATMENT



CHEMICAL
PACKAGING



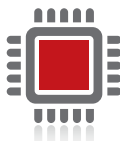
PHARMACEUTICAL



PLATING



AGRICULTURE



SEMI-CONDUCTOR



PETROLEUM

APPLICATIONS



Drums & Barrels



Laboratory



Large Storage Vessels



IBCs

Pump Packages



Pump Package SPEK-PPS, A,B,C | Water Treatment Chemicals

Engineered to transfer corrosive chemicals associated with the Water Treatment Industry. Common applications include: Corrosion inhibitors and water additives.

Motor Type	SPE-250B
Pump Assembly	PPS
Pump Length	27" (700 mm), 39" (1000 mm) or 47" (1200 mm)
Hose	1,5 m I.D. ¾" x O.D 1" (25 mm) PVC
Dispensing Nozzle	¾", Polypropylene (Viton® or EPDM o-ring)
Max. Flow Rate	38 LPM <i>based on water</i>
Max. Viscosity	200 cps (mPas)
Max. Temperature	55° C

Part Number	Voltage	Pump Length
SPEK-PPS-27	220-240V	27" (700 mm)
SPEK-PPS-39	220-240V	39" (1000 mm)
SPEK-PPS-47	220-240V	47" (1200 mm)

⚠ Warning: Not suitable for pumping flammable or combustible liquids.



Pump Package 1 | Water Treatment Chemicals

Engineered to transfer corrosive chemicals associated with the Water Treatment industry. Common applications include: Sodium Hypochlorite, Potassium Hydroxide and Sodium Bromide.

Motor Type	SP-280P-2-V
Pump Assembly	CPVC
Pump Length	39" (1000 mm) or 47" (1200 mm)
Hose	1,8 m, I.D. 1" (25 mm) PVC
Dispensing Nozzle	1" (25 mm), Polypropylene (Viton® or EPDM o-ring)
Barrel Adapter	Polypropylene
Storage Bracket	Steel
Max. Flow Rate	57 LPM <i>based on water</i>
Max. Viscosity	1500 cps (mPas)
Max. Temperature	88° C

Part Number	Voltage	Pump Length
9431	220-240V	39" (1000 mm)
9433	220-240V	47" (1200 mm)

⚠ Warning: Not suitable for pumping flammable or combustible liquids.



Pump Package 2 | Acids & Alkalis

Engineered to transfer corrosive liquids. Common applications include: Hydrochloric Acid, Nitric Acid (20%), Acetic Acid and Sulfuric Acid.

Motor Type	SP-280P-2-V
Pump Assembly	Polypropylene
Pump Length	39" (1000 mm) or 47" (1200 mm)
Hose	1,8 m, I.D. 1" (25 mm) PVC
Dispensing Nozzle	1" (25 mm), Polypropylene (Viton® or EPDM o-ring)
Barrel Adapter	Polypropylene
Storage Bracket	Steel
Max. Flow Rate	57 LPM <i>based on water</i>
Max. Viscosity	1500 cps (mPas)
Max. Temperature	55° C

Part Number	Voltage	Pump Length
9401	220-240V	39" (1000 mm)
9403	220-240V	47" (1200 mm)

⚠ Warning: Not suitable for pumping flammable or combustible liquids.



Pump Packages available in 110/120V versions on request.



Pump Package 3 | Concentrated Acids & Alkalis

Engineered to transfer very concentrated and extremely aggressive liquids. Common applications include: Sulfuric Acid 66 Baumé, Propionic Acid, Concentrated Nitric (98%) and Hydrofluoric Acid.

Motor Type	SP-ENC-2-V (A) or SPE-450V (B)
Pump Assembly	PVDF (Kynar®)
Pump Length	39" (1000 mm) or 47" (1200 mm)
Hose	1,8 m, I.D. 1" (25 mm) AtEx/Chemical Hose
Dispensing Nozzle	1" (25 mm), PVDF (Viton® or EPDM o-ring)
Barrel Adapter	Polypropylene
Storage Bracket	Steel
Max. Flow Rate	66 LPM based on water
Max. Pressure	10,6 m
Max. Viscosity	1500 cps (mPas)
Max. Temperature	80° C

Part Number	Voltage	Pump Length
9421A	220-240V	39" (1000 mm)
9421B	450V	39" (1000 mm)
9423A	220-240V	47" (1200 mm)
9423B	450V	47" (1200 mm)

⚠ Warning: Not suitable for pumping flammable or combustible liquids.

Pump Package 4 | Acids & Alkalis Measurement

Unique design allows users to safely measure and transfer corrosive liquids. Common applications include: Hydrochloric Acid, Nitric Acid (20%), Acetic Acid and Sulfuric Acid.

Motor Type	SP-280P-2-V
Pump Assembly	Polypropylene
Pump Length	39" (1000 mm) or 47" (1200 mm)
Hose	1,8 m, I.D. 1" (25 mm) PVC
Dispensing Nozzle	1" (25 mm), Polypropylene (Viton® or EPDM o-ring)
Flow Meter	Digital / Polypropylene
Barrel Adapter	Polypropylene
Storage Bracket	Steel
Max. Flow Rate	51 LPM based on water
Max. Pressure	10,6 m
Max. Viscosity	300 cps (mPas)
Max. Temperature	55° C

Part Number	Voltage	Pump Length
9501A	220-240V	39" (1000 mm)
9503A	220-240V	47" (1200 mm)

⚠ Warning: Not suitable for pumping flammable or combustible liquids.

Pump Package 5 | Concentrated Acids & Alkalis Measurement

Unique design allows operators to safely measure and transfer concentrated and very aggressive liquids. Common applications include: Sulfuric Acid 66 Baumé, Propionic Acid, Concentrated Nitric (98%) and Hydrofluoric Acid.

Motor Type	SP-ENC-2-V (B) or SPE-450V (C)
Pump Assembly	PVDF (Kynar®)
Pump Length	39" (1000 mm) or 47" (1200 mm)
Hose	1,8 m, I.D. 1" (25 mm) AtEx/Chemical Hose
Dispensing Nozzle	1" (25 mm), PVDF (Viton® or EPDM o-ring)
Flow Meter	Digital / PVDF
Barrel Adapter	Polypropylene
Storage Bracket	Steel
Max. Flow Rate	61 LPM based on water (SP-ENC-2-V)
Max. Viscosity	300 cps (mPas)
Max. Temperature	80° C

Part Number	Voltage	Pump Length
9511B	220-240V	39" (1000 mm)
9511C	220-240V	39" (1000 mm)
9513B	220-240V	47" (1200 mm)
9513C	220-240V	47" (1200 mm)

⚠ Warning: Not suitable for pumping flammable or combustible liquids.

Pump Packages available in 110/120V versions on request.

Pump Packages Continued



Pump Package 6 | Mineral Acids

Engineered to transfer mineral acids and suitable chemicals. Applications include: Nitric Acid (<60%) and Citric Acid.

Motor Type	SP-280P-2-V
Pump Assembly	Stainless Steel 316
Pump Length	39" (1000 mm) or 47" (1200 mm)
Hose	1,8 m, I.D. 1" (25 mm) PVC
Dispensing Nozzle	1" (25 mm), SS316
Barrel Adapter	Stainless Steel
Storage Bracket	Steel
Max. Flow Rate	79 LPM <i>based on water</i>
Max. Viscosity	1500 cps (mPas)
Max. Temperature	80° C

Part Number	Voltage	Pump Length
9715	220-240V	39" (1000 mm)
9717	220-240V	47" (1200 mm)

Pump Package 6 with ALU Nozzle

Part Number	Voltage	Pump Length
9415-A	220-240V	39" (1000 mm)
9417-A	220-240V	47" (1200 mm)

⚠ Warning: Not suitable for pumping flammable or combustible liquids.



Pump Package 7 | Non-corrosive Liquids and Light Oils

Standard Pumps Aluminum Pump Package is designed to transfer non-corrosive liquids such as machining lubricants, hydraulic fluid, motor oil, anti-freeze and light oils from barrels and tote tanks. This package has been engineered to be light weight and portable while still maintaining a robust quality and high rate of flow.

Motor Type	SP-280P-2-V
Pump Assembly	Aluminium
Pump Length	39" (1000 mm) or 47" (1200 mm)
Hose	1,8 m I.D. ¾" x O.D 1" (25 mm) PVC
Dispensing Nozzle	1" (25 mm), Aluminium
Barrel Adapter	Stainless Steel depending on liquid
Storage Bracket	Steel
Max. Flow Rate	83 LPM <i>based on water</i>
Max. Viscosity	1500 cps (mPas)
Max. Temperature	80° C

Part Number	Voltage	Pump Length
9761	220-240V	39" (1000 mm)
9763	220-240V	47" (1200 mm)

⚠ Warning: Not suitable for pumping flammable or combustible liquids.



Pump Package 8 | AtEx Pump Package

Standard Pumps Explosion Proof Drum Pump (AIR) is designed safely transfer highly flammable/ combustible liquids and meets the stringent safety requirements of the Chemical Processing Industry. Common applications include: Alcohol, Isopropyl Ether, Aqueous Ammonia, Xylene, Gasoline, Solvents, Petroleum Products and Toluene.

Motor Type	SP-A1
Pump Assembly	Stainless Steel 316
Pump Length	39" (1000 mm) or 47" (1200 mm)
Hose	1,8 m, I.D. 1" (25 mm) AtEx/Chemical Hose
Dispensing Nozzle	1" (25 mm), Stainless Steel 316
Barrel Adapter	Stainless Steel
Storage Bracket	Steel
Max. Flow Rate	64 LPM <i>based on water</i>
Max. Viscosity	750 cps (mPas)
Max. Temperature	AtEx: 40° C (non-AtEx Application: 80° C)

Part Number	Output	Pump Length
9904	370W	39" (1000 mm)
9906	370W	47" (1200 mm)

Note: For AtEx directive and classification see product information.

⚠ Warning: Not suitable for pumping flammable or combustible liquids.

Pump Packages available in 110/120V versions on request.





Pump Package 9 | Flammable & Combustible Liquids

Explosion Proof Drum Pump is a safe solution for transferring highly flammable/combustible liquids and meets the stringent safety requirements of the Chemical Processing Industry. Applications include: Alcohol, Isopropyl Ether, Gasoline, Solvents, Aqueous Ammonia, Petroleum Products, Xylene, Toluene.

Motor Type	SP-420EX (IP 54)
Pump Assembly	Stainless Steel 316
Pump Length	39" (1000 mm) or 47" (1200 mm)
Hose	1,8 m, I.D. 1" (25 mm) AtEx/Chemical Hose
Dispensing Nozzle	1" (25 mm) SS316
Barrel Adapter	Stainless Steel
Storage Bracket	Steel
Max. Flow Rate	68 LPM <i>based on water</i>
Max. Viscosity	750 cps (mPas)
Max. Temperature	AtEx: 40° C (non-AtEx Application: 80° C)

Part Number	Voltage	Pump Length
9911	220-240V	39" (1000 mm)
9913	220-240V	47" (1200 mm)

Note: For AtEx directive and classification see product information.



Pump Package SPEK-ALU-ATEX | Non-corrosive Liquids and Light Oils

Standard Pumps Explosion Proof Drum Pump is designed safely transfer highly flammable/combustible liquids and meets the stringent safety requirements of the Chemical Processing Industry. Common applications include: Alcohol, Isopropyl Ether, Gasoline, Solvents, Aqueous Ammonia and Petroleum products.

Motor Type	SP-420EX (IP54)
Pump Assembly	Aluminium
Pump Length	39" (1000 mm) or 47" (1200 mm)
Hose	1,8 m, I.D. 1" (25 mm) AtEx/Chemical Hose
Dispensing Nozzle	1" (25 mm), Aluminium
Barrel Adapter	Aluminium
Storage Bracket	Stainless Steel
Max. Flow Rate	83 LPM <i>based on water</i>
Max. Pressure	10,6 m
Max. Viscosity	750 cps (mPas)
Max. Temperature	AtEx: 40° C (non-AtEx Application: 80° C)

Part Number	Voltage	Pump Length
SPEK-ALU-ATEX-39	220-240V	39" (1000 mm)
SPEK-ALU-ATEX-47	220-240V	47" (1200 mm)

Note: For AtEx directive and classification see product information.



Pump Package SPEK-ALU-ATEX-AIR | Non-corrosive Liquids and Light Oils

Standard Pumps Proof Drum Pump (AIR) is designed safely transfer highly flammable/combustible liquids and meets the stringent safety requirements of the Chemical Processing Industry. Common applications include: Alcohol, Isopropyl Ether, Gasoline, Solvents, Aqueous Ammonia and Petroleum products.

Motor Type	SP-A1
Pump Assembly	Aluminium
Pump Length	39" (1000 mm) or 47" (1200 mm)
Hose	1,8 m, I.D. 1" (25 mm) AtEx/Chemical Hose
Dispensing Nozzle	1" (25 mm), Aluminium
Barrel Adapter	Aluminium
Storage Bracket	Stainless Steel
Max. Flow Rate	83 LPM <i>based on water</i>
Max. Pressure	10,6 m
Max. Viscosity	450 cps (mPas)
Max. Temperature	AtEx: 40° C (non-AtEx Application: 80° C)

Part Number	Output	Pump Length
SPEK-ALU-ATEX-AIR-39	370W	39" (1000 mm)
SPEK-ALU-ATEX-AIR-47	370W	47" (1200 mm)

Note: For AtEx directive and classification see product information.
Pump packages available in 110/120V versions on request.

Drum Pump Motors



SPE-12V/24V Series



Part Number	Enclosure	Power	Watt	V.S.D	Gross WT
SPE-12VA	Open Drip Proof (IP44)	12V DC PLUG	150	No	2,3 kg
SPE-24VA	Open Drip Proof (IP44)	24V DC PLUG	150	No	2,3 kg

Battery plugs: Only on request



Note: V.S.D. = Variable Speed Drive.

SPE-250 B



Part Number	Enclosure	Power	Watt	V.S.D	Gross WT
SPE-250B	Open Drip Proof (IP44)	230V/50-60Hz	250	No	2,3 kg

Note: V.S.D. = Variable Speed Drive.

⚠ Warning: Not suitable for pumping flammable or combustible liquids.

SPE-450 Series



Part Number	Enclosure	Power	Watt	V.S.D	Gross WT
SPE-450	TEFC (IP54)	230V/50-60Hz	450	No	3,3 kg
SPE-450V	TEFC (IP54)	230V/50-60Hz	450	Yes	3,3 kg

Note: V.S.D. = Variable Speed Drive.

⚠ Warning: Not suitable for pumping flammable or combustible liquids.

SP-280P Series



Part Number	Enclosure	Power	Watt	V.S.D	LVR	Gross WT
SP-280P-2	Open Drip Proof (IP44)	230-240V/50-60Hz	825	No	Yes	4,0 kg
SP-280P-2-V	Open Drip Proof (IP44)	230-240V/50-60Hz	825	Yes	Yes	4,0 kg

Note: Pump Motors available in 110/120V on request.

Note: V.S.D. = Variable Speed Drive.
Note: LVR= Low Voltage Release.

⚠ Warning: Not suitable for pumping flammable or combustible liquids.

SP-ENC Series



Part Number	Enclosure	Power	Watt	V.S.D	LVR	Gross WT
SP-ENC-2	TEFC (IP54)	230-240V/50-60Hz	825	No	Yes	5,7 kg
SP-ENC-2-V	TEFC (IP54)	230-240V/50-60Hz	825	Yes	Yes	5,7 kg

⚠ Warning: Not suitable for pumping flammable or combustible liquids.

Note: Pump Motors available in 110/120V on request.

Note: V.S.D. = Variable Speed Drive.
Note: LVR= Low Voltage Release.



SPE-950 Series



Part Number	Enclosure	Power	Watt	V.S.D	Gross WT
SPE-950	TEFC (IP54)	230V/50-60Hz	950	No	3,3 kg
SPE-950V	TEFC (IP54)	230V/50-60Hz	950	Yes	3,3 kg

⚠ Warning: Not suitable for pumping flammable or combustible liquids.

Note: V.S.D. = Variable Speed Drive

SP-420EX



Part Number	Enclosure	Power	Watt	V.S.D	LVR	Gross WT
SP-420EX	Explosion Proof	220-240V/1/50-60Hz	600	No	Yes	7,7 kg

Note: Explosion proof motor regulations require that motors shall be returned to the manufacturer for repair.

Note: V.S.D. = Variable Speed Drive

Note: LVR = Low Voltage Release

⚠ See warning at bottom of page.

SP-440EX



Part Number	Enclosure	Power	Watt	V.S.D	LVR	Gross WT
SP-440EX	Explosion Proof	220-240V/1/50-60Hz	1000	Yes	Yes	6,8 kg

RPM (min-max) 1000-12.000.

Atex II 2G Ex d ib IIB T5 Gb

Note: Explosion proof motor regulations require that motors shall be returned to the manufacturer for repair.

Note: V.S.D. = Variable Speed Drive

Note: LVR = Low Voltage Release

⚠ See warning at bottom of page.

SP-A1



Part Number	Consumption	Max. Inlet Pressure	Output	Gross WT
SP-A1	22 CFM @ 90 psi	100 psi	1/2 HP	1,2 kg
	10.4 L/sec @ 6,2 bar	6,8 bar	370W	

⚠ See warning at bottom of page.

SP-A2 Series



Part Number	Consumption	Max. Inlet Pressure	Output	Gross WT
SP-A2	28 CFM @ 90 psi	100 psi	3/4 HP	1,5 kg
	13.2 L/sec @ 6,2 bar	6,8 bar	560W	
SP-A2TL (trigger lock)	28 CFM @ 90 psi	100 psi	3/4 HP	1,5 kg
	13.2 L/sec @ 6,2 bar	6,8 bar	560W	

⚠ Warning: Not suitable for pumping flammable or combustible liquids.

Note: Pump Motors available in 110/120V on request.

⚠ Warning: Pumping of flammables or combustible liquids can generate a static electric discharge, causing fire or explosion resulting in injury or death. Read and understand operating instructions before starting this unit. Follow all federal, state and local safety codes including NFPA 30 - NFPA77. Prior to connecting to air supply, install bond and ground wires and check continuity of each wire. A meter reading of one ohm or less is required for safe liquid transfer. Use only metallic drum, receiving vessel and metallic pump when pumping flammables. Air motors are not recognized under any current Underwriter's Laboratory listing program. Consult a qualified engineer for suitability for use in a hazardous area or on flammables.



Pump Tubes – Polypropylene Series with SS316 Shaft

STANDARD's Polypropylene pump tube with SS316 shaft is engineered for transferring a variety of corrosive liquids. Robust Polypropylene and SS316 shaft ensures chemical resistance against light chemicals.

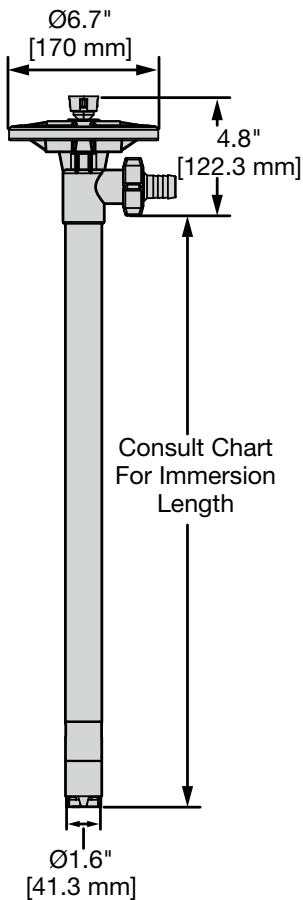


Common Applications

- Aluminium Hydroxide
- Citric Acid
- Etyhylene Glycol
- Ferric Nitrate
- Glycerin
- Sodium Sulfate

Technical Specifications

Wetted Parts	Polypropylene, Carbon, SS316
Max. Viscosity	1500 cps (mPas) (SP-280P, SP-ENC, SPE-950) 750 cps (mPas) (SPE-450, SP-A2, SP-420EX) 450 cps (mPas) (SP-A1) 200 cps (mPas) (SPE-250B) 100 cps (mPas) (SPE-12/24V)
Discharge Options	1" (25 mm), 3/4" (19 mm) Hose Barb
Pump Design	Seal-less / Centrifugal
Max. Specific Gravity	1.8 (with 825 watt or 950 watt motor)
Max. Temperature	55° C



Part Number	Assembly	Immersion Length	Shaft	Impeller
SP-PPS-27	Polypropylene	27" (700 mm)	Stainless Steel	High Volume
SP-PPS-39	Polypropylene	39" (1000 mm)	Stainless Steel	High Volume
SP-PPS-47	Polypropylene	47" (1200 mm)	Stainless Steel	High Volume
SP-PPS-50	Polypropylene	50" (1270 mm)	Stainless Steel	High Volume
SP-PPS-60	Polypropylene	60" (1500 mm)	Stainless Steel	High Volume
SP-PPS-72	Polypropylene	72" (1800 mm)	Stainless Steel	High Volume
SP-PPS-HH-27	Polypropylene	27" (700 mm)	Stainless Steel	High Pressure
SP-PPS-HH-39	Polypropylene	39" (1000 mm)	Stainless Steel	High Pressure
SP-PPS-HH-47	Polypropylene	47" (1200 mm)	Stainless Steel	High Pressure
SP-PPS-HH-50	Polypropylene	50" (1270 mm)	Stainless Steel	High Pressure
SP-PPS-HH-60	Polypropylene	60" (1500 mm)	Stainless Steel	High Pressure
SP-PPS-HH-72	Polypropylene	72" (1800 mm)	Stainless Steel	High Pressure

Flow curves for these pumps, please see page 16.

Pump Tubes – Polypropylene Series

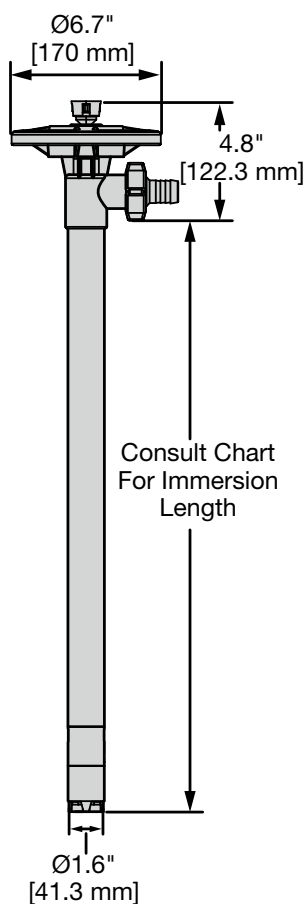
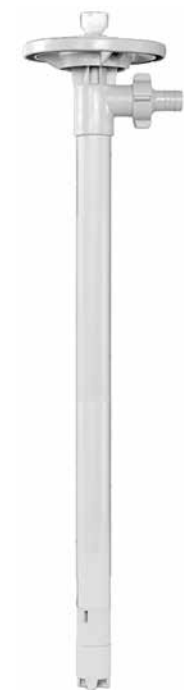
STANDARD's Polypropylene pump tube is engineered for transferring a variety of corrosive liquids. Robust Polypropylene ensures chemical resistance against light to aggressive chemicals.

Common Applications

- Acetic Acid
- Alkalis
- Ferric Chloride
- Hydrochloric (20%)
- Nitric Acid (20%)
- Sulfuric Acid

Technical Specifications

Wetted Parts	Polypropylene, Carbon, Hastelloy
Max. Viscosity	1500 cps (mPas) (SP-280P, SP-ENC, SPE-950) 750 cps (mPas) (SPE-450, SP-A2, SP-420EX) 450 cps (mPas) (SP-A1) 200 cps (mPas) (SPE-250B), 100 cps (mPas) (SPE-12/24V)
Discharge Options	1" (25 mm), ¾" (19 mm) Hose Barb
Pump Design	Seal-less / Centrifugal
Max. Specific Gravity	1.8 (with 825 watt or 950 watt motor)
Max. Temperature	55°C



Part Number	Assembly	Immersion Length	Shaft	Impeller
SP-PP-27	Polypropylene	27" (700 mm)	Hastelloy	High Volume
SP-PP-39	Polypropylene	39" (1000 mm)	Hastelloy	High Volume
SP-PP-47	Polypropylene	47" (1200 mm)	Hastelloy	High Volume
SP-PP-50	Polypropylene	50" (1270 mm)	Hastelloy	High Volume
SP-PP-60	Polypropylene	60" (1500 mm)	Hastelloy	High Volume
SP-PP-72	Polypropylene	72" (1800 mm)	Hastelloy	High Volume
SP-PP-HH-27	Polypropylene	27" (700 mm)	Hastelloy	High Pressure
SP-PP-HH-39	Polypropylene	39" (1000 mm)	Hastelloy	High Pressure
SP-PP-HH-47	Polypropylene	47" (1200 mm)	Hastelloy	High Pressure
SP-PP-HH-50	Polypropylene	50" (1270 mm)	Hastelloy	High Pressure
SP-PP-HH-60	Polypropylene	60" (1500 mm)	Hastelloy	High Pressure
SP-PP-HH-72	Polypropylene	72" (1800 mm)	Hastelloy	High Pressure

Flow curves for these pumps, please see page 16.

Pump Tubes – CPVC Series



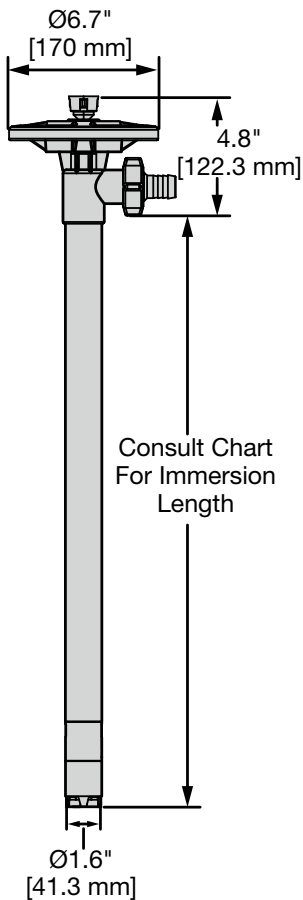
STANDARD's CPVC pump tube is engineered for transferring corrosive chemicals commonly used in the Water Treatment Industry. Robust CPVC offers excellent durability and chemical resistance.

Common Applications

- Calcium Chloride
- Calcium Hydroxide
- Chlorinated Water
- Potassium Hydroxide
- Sodium Bromide
- Sodium Hypochlorite

Technical Specifications

Wetted Parts	CPVC, Carbon, Hastelloy
Max. Viscosity	1500 cps (mPas) (SP-280P, SP-ENC, SPE-950) 750 cps (mPas) (SPE-450, SP-A2, SP-420EX) 450 cps (mPas) (SP-A1) 200 cps (mPas) (SPE-250B) 100 cps (mPas) (SPE-12/24V)
Discharge Options	1" (25 mm), 3/4" (19 mm) Hose Barb
Pump Design	Seal-less / Centrifugal
Max. Specific Gravity	1.8 (with 825 watt or 950 watt motor)
Max. Temperature	88° C



Part Number	Assembly	Immersion Length	Shaft	Impeller
SP-CPVC-27	CPVC	27" (700 mm)	Hastelloy	High Volume
SP-CPVC-39	CPVC	39" (1000 mm)	Hastelloy	High Volume
SP-CPVC-47	CPVC	47" (1200 mm)	Hastelloy	High Volume
SP-CPVC-50	CPVC	50" (1270 mm)	Hastelloy	High Volume
SP-CPVC-60	CPVC	60" (1500 mm)	Hastelloy	High Volume
SP-CPVC-72	CPVC	72" (1800 mm)	Hastelloy	High Volume
SP-CPVC-HH-27	CPVC	27" (700 mm)	Hastelloy	High Pressure
SP-CPVC-HH-39	CPVC	39" (1000 mm)	Hastelloy	High Pressure
SP-CPVC-HH-47	CPVC	47" (1200 mm)	Hastelloy	High Pressure
SP-CPVC-HH-50	CPVC	50" (1270 mm)	Hastelloy	High Pressure
SP-CPVC-HH-60	CPVC	60" (1500 mm)	Hastelloy	High Pressure
SP-CPVC-HH-72	CPVC	72" (1800 mm)	Hastelloy	High Pressure

Flow curves for these pumps, please see page 16.

Pump Tubes – High Temperature Polypropylene Series



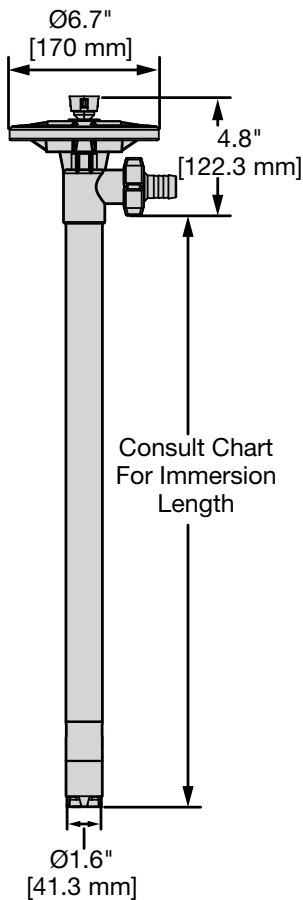
STANDARD's High Temperature Polypropylene (PHT) pump tube is engineered for transferring high temperature corrosive liquids. Robust Polypropylene ensures chemical resistance and excellent heat deflection properties against light to mildly aggressive chemicals.

Common Applications

- Acetic Acid
- Alkalies
- Ferric Chloride
- Hydrochloric (20%)
- Nitric Acid (20%)
- Sulfuric Acid

Technical Specifications

Wetted Parts	Polypropylene, Carbon, Hastelloy
Max. Viscosity	1500 cps (mPas) (SP-280P, SP-ENC, SPE-950) 750 cps (mPas) (SPE-450, SP-A2, SP-420EX) 450 cps (mPas) (SP-A1) 200 cps (mPas) (SPE-250B) 100 cps (mPas) (SPE-12/24V)
Discharge Options	1" (25 mm), 3/4" (19 mm) Hose Barb
Pump Design	Seal-less / Centrifugal
Max. Specific Gravity	1.8 (with 825 watt or 950 watt motor)
Max. Temperature	80°C



Part Number	Assembly	Immersion Length	Shaft	Impeller
SP-PHT-27	Polypropylene	27" (700 mm)	Hastelloy	High Volume
SP-PHT-39	Polypropylene	39" (1000 mm)	Hastelloy	High Volume
SP-PHT-47	Polypropylene	47" (1200 mm)	Hastelloy	High Volume
SP-PHT-50	Polypropylene	50" (1270 mm)	Hastelloy	High Volume
SP-PHT-60	Polypropylene	60" (1500 mm)	Hastelloy	High Volume
SP-PHT-72	Polypropylene	72" (1800 mm)	Hastelloy	High Volume
SP-PHT-HH-27	Polypropylene	27" (700 mm)	Hastelloy	High Pressure
SP-PHT-HH-39	Polypropylene	39" (1000 mm)	Hastelloy	High Pressure
SP-PHT-HH-47	Polypropylene	47" (1200 mm)	Hastelloy	High Pressure
SP-PHT-HH-50	Polypropylene	50" (1270 mm)	Hastelloy	High Pressure
SP-PHT-HH-60	Polypropylene	60" (1500 mm)	Hastelloy	High Pressure
SP-PHT-HH-72	Polypropylene	72" (1800 mm)	Hastelloy	High Pressure

Flow curves for these pumps, please see page 16.

Pump Tubes – PVDF (Kynar®) Series



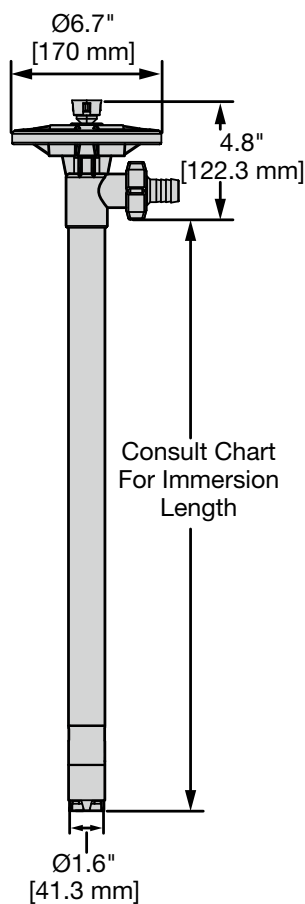
STANDARD's PVDF pump tube is engineered for transferring highly concentrated and aggressive liquids. Robust PVDF offers excellent durability and chemical resistance.

Common Applications

- Concentrated Nitric Acid
- Hydrofluoric Acid
- Propionic Acid
- Searic Acid
- Sodium Hypochlorite
- Sulfuric Acid-66 Baume

Technical Specifications

Wetted Parts	PVDF, Carbon, Hastelloy
Max. Viscosity	1500 cps (mPas) (SP-280P, SP-ENC, SPE-950) 750 cps (mPas) (SPE-450, SP-A2, SP-420EX) 450 cps (mPas) (SP-A1) 200 cps (mPas) (SPE-250B) 100 cps (mPas) (SPE-12/24V)
Discharge Options	1" (25 mm), 3/4" (19 mm) Hose Barb
Pump Design	Seal-less / Centrifugal
Max. Specific Gravity	1.8 (with 825 watt or 950 watt motor)
Max. Temperature	80° C



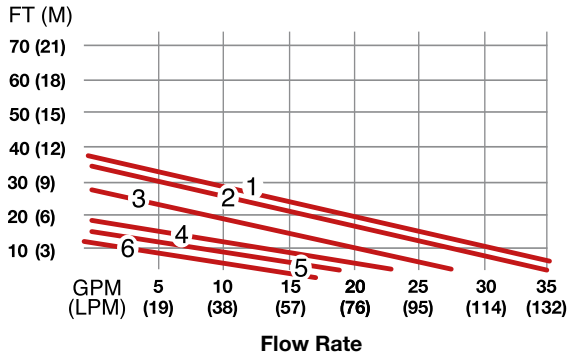
Part Number	Assembly	Immersion Length	Shaft	Impeller
SP-PVDF-27	PVDF	27" (700 mm)	Hastelloy	High Volume
SP-PVDF-39	PVDF	39" (1000 mm)	Hastelloy	High Volume
SP-PVDF-47	PVDF	47" (1200 mm)	Hastelloy	High Volume
SP-PVDF-50	PVDF	50" (1270 mm)	Hastelloy	High Volume
SP-PVDF-60	PVDF	60" (1500 mm)	Hastelloy	High Volume
SP-PVDF-72	PVDF	72" (1800 mm)	Hastelloy	High Volume
SP-PVDF-HH-27	PVDF	27" (700 mm)	Hastelloy	High Pressure
SP-PVDF-HH-39	PVDF	39" (1000 mm)	Hastelloy	High Pressure
SP-PVDF-HH-47	PVDF	47" (1200 mm)	Hastelloy	High Pressure
SP-PVDF-HH-50	PVDF	50" (1270 mm)	Hastelloy	High Pressure
SP-PVDF-HH-60	PVDF	60" (1500 mm)	Hastelloy	High Pressure
SP-PVDF-HH-72	PVDF	72" (1800 mm)	Hastelloy	High Pressure

Flow curves for these pumps, please see page 16.

Performance Curves for Centrifugal Pumps

SP-PP, SP-PPS, SP-PHT, SP-CPVC & SP-PVDF

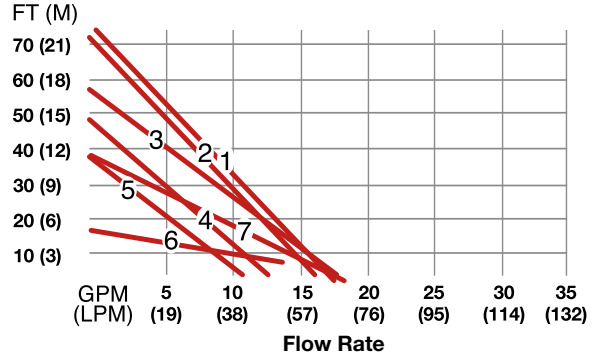
High Volume Pumps:



Motor:

- 1 SPE-950
- 2 SP-280P, SP-ENC
- 3 SPE-450, SP-A2, SP-420EX
- 4 SPE-250B
- 5 SP-A1, SPE-24V
- 6 SPE-12V

High Pressure Pumps:



Motor:

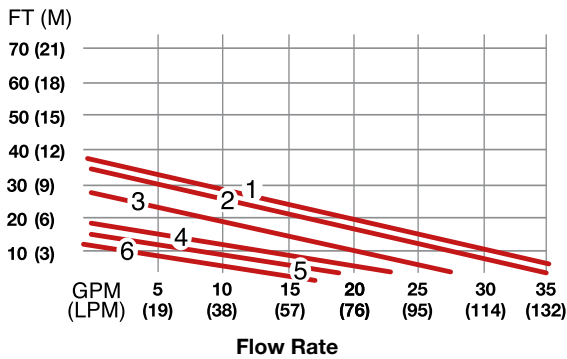
- 1 SPE-950
- 2 SP-280P, SP-ENC
- 3 SPE-450, SP-A2, SP-420EX
- 4 SPE-250B
- 5 SP-A1
- 6 SPE-12V
- 7 SPE-24V

*Note: Max. Specific Gravity is 1.8 when used in conjunction with 825 watt motor or 950 watt motor.

SP-AL, SP-SS, SP-6600/6700 Series, SP-7600/7700 Series



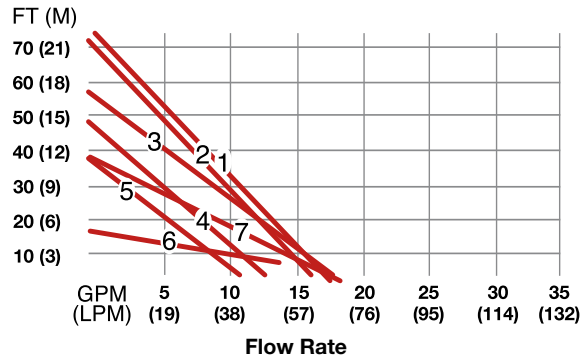
High Volume Pumps:



Motor:

- 1 SPE-950
- 2 SP-280P, SP-ENC, SP-440EX
- 3 SPE-450, SP-A2, SP-420EX
- 4 SPE-250B
- 5 SP-A1, SPE-24V
- 6 SPE-12V

High Pressure Pumps:



Motor:

- 1 SPE-950
- 2 SP-280P, SP-ENC, SP-440EX
- 3 SPE-450, SP-A2, SP-420EX
- 4 SPE-250B
- 5 SP-A1
- 6 SPE-12V
- 7 SPE-24V

Performance measured by pumping clean water at 20° C.

⚠ Warning: When pumping flammable or combustible liquids pump tube must be used in conjunction with an explosion proof motor.

*Note: Max. Specific Gravity is 1.8 when used in conjunction with 825 watt motor or 950 watt motor.

Pump Tubes – Stainless Steel Series



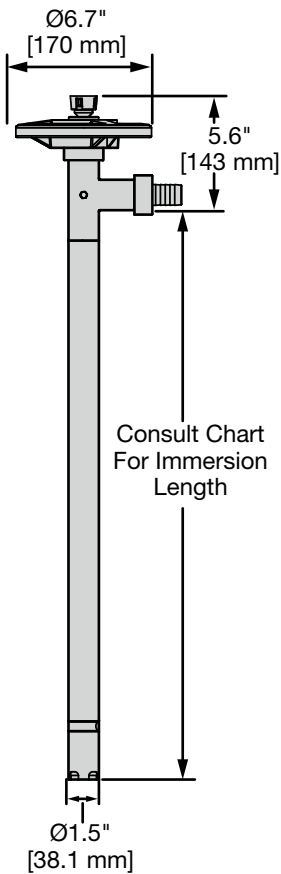
STANDARD's Stainless pump tube is engineered for transferring liquids in an ATEX environment. Robust Stainless Steel offers excellent performance, strength and durability.

Common Applications

- Flammable liquids with a flash point of min. 185°C
- Chemicals according to our resistance guide

Technical Specifications

Wetted Parts	SS316, Carbon, PTFE
Max. Viscosity	1500 cps (mPas) (SP-280P, SP-ENC, SPE-950, SP-440EX) 750 cps (mPas) (SPE-450, SP-A2, SP-420EX) 450 cps (mPas) (SP-A1) 200 cps (mPas) (SPE-250B) 100 cps (mPas) (SPE-12/24V)
Discharge Options	1" (25 mm) / 3/4" (19 mm) Hose Barb
Pump Design	Seal-less / Centrifugal
Max. Specific Gravity	1.8 (with 825 watt or 950 watt motor)
Max. Temperature	80° C, AtEx: 40° C
Directive and Classification	AtEx 2014 / 24 / EU – EX II 2G c IIB T4



Part Number	Assembly	Immersion Length	Shaft	Impeller
SP-7600-27	Stainless 316	27" (700 mm)	Stainless 316	High Volume
SP-7600-39	Stainless 316	39" (1000 mm)	Stainless 316	High Volume
SP-7600-47	Stainless 316	47" (1200 mm)	Stainless 316	High Volume
SP-7600-60	Stainless 316	60" (1500 mm)	Stainless 316	High Volume
SP-7600-72	Stainless 316	72" (1800 mm)	Stainless 316	High Volume
SP-7700-27	Stainless 316	27" (700 mm)	Stainless 316	High Pressure
SP-7700-39	Stainless 316	39" (1000 mm)	Stainless 316	High Pressure
SP-7700-47	Stainless 316	47" (1200 mm)	Stainless 316	High Pressure
SP-7700-60	Stainless 316	60" (1500 mm)	Stainless 316	High Pressure
SP-7700-72	Stainless 316	72" (1800 mm)	Stainless 316	High Pressure

Flow curves for these pumps, please see page 16.

Pump Tubes – Aluminium Pump Series



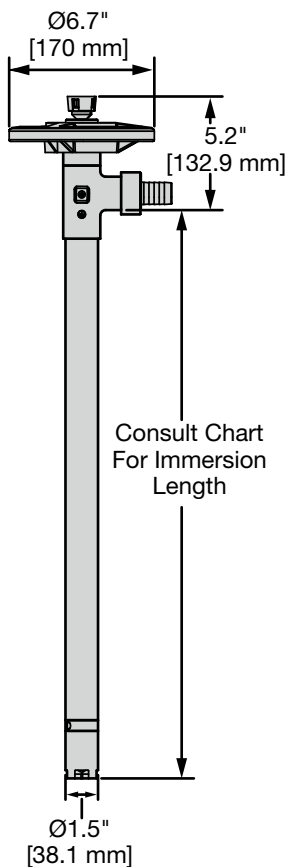
STANDARD's Aluminium pump tube is engineered for transferring non-corrosive liquids such as Machining Lubricants, hydraulic fluid, motor oil, antifreeze and Light Oils. Robust Aluminium construction offers excellent strength and durability.

Common Applications

- Anti-Freeze
- Hydraulic Fluid
- Light Machining Oils
- Lubricating Oils
- Motor Oil (up to 30 Wt)

Technical Specifications

Wetted Parts	Aluminium, Carbon, PTFE & SS316
Max. Viscosity	1500 cps (mPas) (SP-280P, SP-ENC, SPE-950, SP-440EX) 750 cps (mPas) (SPE-450, SP-A2, SP-420EX) 450 cps (mPas) (SP-A1) 200 cps (mPas) (SPE-250B) 100 cps (mPas) (SPE-12/24V)
Discharge Options	1" (25 mm) / 3/4" (19 mm) Hose Barb
Pump Design	Seal-less / Centrifugal
Max. Specific Gravity	1.8 (with 825 watt or 950 watt motor)
Max. Temperature	80°C, AtEx: 40°C
Directive and Classification	AtEx 2014 / 24 / EU – EX II 2G c IIB T4



Part Number	Assembly	Immersion Length	Shaft	Impeller
SP-6600-27	Aluminium	27" (700 mm)	Stainless 316	High Volume
SP-6600-39	Aluminium	39" (1000 mm)	Stainless 316	High Volume
SP-6600-47	Aluminium	47" (1200 mm)	Stainless 316	High Volume
SP-6600-60	Aluminium	60" (1500 mm)	Stainless 316	High Volume
SP-6600-72	Aluminium	72" (1800 mm)	Stainless 316	High Volume
SP-6700-27	Aluminium	27" (700 mm)	Stainless 316	High Pressure
SP-6700-39	Aluminium	39" (1000 mm)	Stainless 316	High Pressure
SP-6700-47	Aluminium	47" (1200 mm)	Stainless 316	High Pressure
SP-6700-60	Aluminium	60" (1500 mm)	Stainless 316	High Pressure
SP-6700-72	Aluminium	72" (1800 mm)	Stainless 316	High Pressure

Flow curves for these pumps, please see page 16.

Motor & Tube Assembly Details

SP-280 and SP-ENC

Variable Speed Control



Unique Drop-In Brush System

Multi Certified Motors Meet Stringent North American and European Safety Standards



Thermal Overload or Low Voltage Release Switches

Powerful 1.1 HP (825 Watt) 110-120 / 220-240v

Motor Housing Provides Added Chemical Resistance

Modular Handwheel Design

Optional 1" (25 mm) or .75" (19 mm) Barbed Fitting

Thick, Robust Wall Construction

PTFE Guide Sleeve Finned Design

Hastelloy C276 Drive Shaft

Carbon Bushing

Impeller/Rotor Interchangeable for High Volume/High Pressure Models



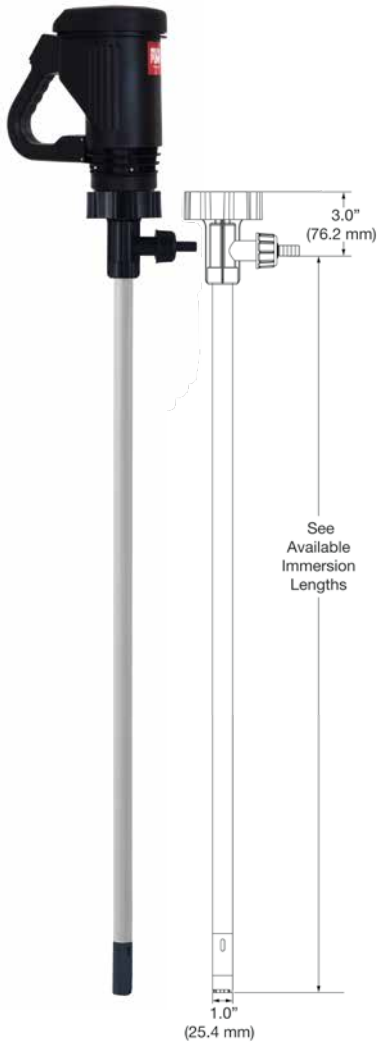
Common Applications

- Acetic Acid (80%)
- Sodium Hydroxide (50%)
- Nitric Acid (10%)
- Hydrochloric Acid (100%)
- Sulfuric Acid (80%)
- Ferric Chloride (50%)

Technical Specifications

Pump Design	Seal-less / Centrifugal
Discharge Option	½" (12,7 mm) Hose Barb
Wetted Parts	Polypropylene, Carbon Graphite, Hastelloy C-276 (SP-M-PP) PVDF, Carbon Graphite, Hastelloy C-276 (SP-M-PVDF)
Motor Drive Options	SPE-12V/24V Series, SPE-250B or SPE-450 Series
Max. Viscosity	250 cps (mPas) (SPE-250B)
Max. Discharge Pressure	6.0 psi (0,41 bar)
Max. Flow Rate	20,8 lpm
Max. Temperature	55° C
Duty Cycle	Intermittent

Part Number	Assembly	Immersion Length	Shaft
SP-M-PP-20	PP	20" (500 mm)	Hastelloy C-276
SP-M-PP-27	PP	27" (700 mm)	Hastelloy C-276
SP-M-PP-39	PP	39" (1000 mm)	Hastelloy C-276
SP-M-PVDF-20	PVDF	20" (500 mm)	Hastelloy C-276
SP-M-PVDF-27	PVDF	27" (700 mm)	Hastelloy C-276
SP-M-PVDF-39	PVDF	39" (1000 mm)	Hastelloy C-276



Motor Drives



SPE-12V/24V Series



SPE-250B



SPE-450 Series

Note: Refer to page 9 for motor information

SPE Barrel Mixers

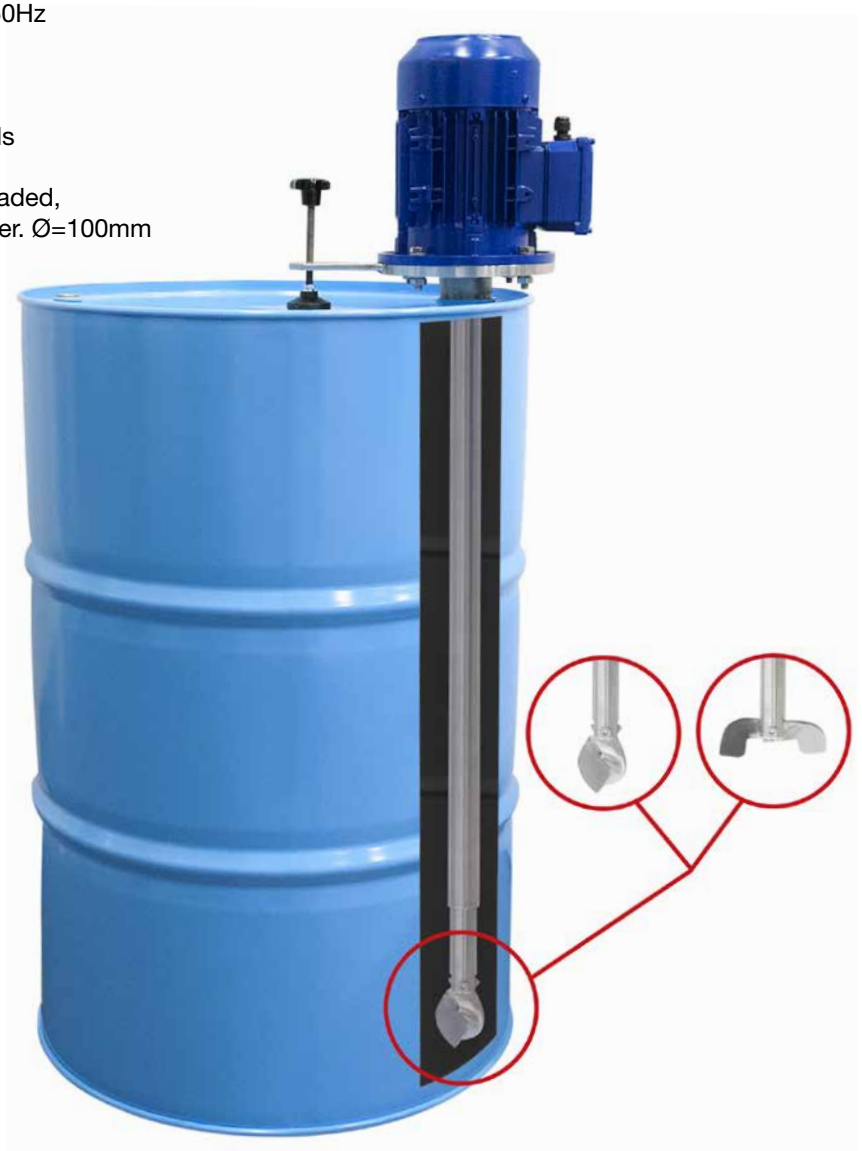
New high efficiency mixers for mixing directly in all types of barrels

- Made from high quality stainless steel, 1.4571
- Direct installation in standard barrels.
- Special high efficiency hinged propeller
- Additional support – no vibrations

Technical Specifications

Part Number	SPE-M0060
Motor	0,37W
Power Supply	3x230/400V, 50Hz
Speed	900 r/min
Shaft Length	520 mm
Material in contact with liquid	SS, 1.4571
Drum Connection	2" male threads
Weight	13,5 kg
Mixing Element	Special two bladed, hinged propeller. Ø=100mm
Design Viscosity	500Cp

Part Number	SPE-M0200
Motor	0,75 kW
Power Supply	3x230/400V, 50Hz
Speed	1450 r/min
Shaft Length	850 mm
Material in contact with liquid	SS, 1.4571
Drum Connection	2" male threads
Weight	App. 18 kg
Mixing Element	Special two bladed, hinged propeller. Ø=100mm
Design Viscosity	500Cp



Hand Pumps

Standard Pump Europe's hand pumps are engineered for transferring mainly oils from drums and storage tanks.

SPE OK 9B



Common Applications

- Motor oil to SAE 80
- Gearbox oil to SAE 80
- Hydraulic oil to SAE 80

Technical Specifications

Part Number	SPE OK 9B
Wetted Parts	Steel, Steel galvanised, Brass, Zinc casting alloy, POM, Novotex, NBR, Ramilon, Lupolen (not media touched)
Pump Design	Simple-acting reciprocating piston pump
Flow Rate	approx. 0,25 liter/stroke
Outlet Manifold	Drip tight outlet
Barrel Connection	G 2"
Suction Pipe	840 mm
Clasp for Padlock	
Adjustable Drum Screw Connector	

SPE K10 C



Common Applications

- Diesel
- Petroleum
- Heating Oil EL/L
- Anti-freeze (undiluted)
- Fuels (AI-III)
- Low viscosity mineral oils

Technical Specifications

Part Number	SPE K10 C
Wetted Parts	Steel, Steel galvanised, Brass, Zinc casting alloy, POM, Novotex, NBR, Ramilon, Lupolen (not media touched)
Pump Design	Simple-acting reciprocating piston pump
Flow Rate	approx. 0,25 liter/stroke
Outlet Manifold	Outlet clip for hose connection DN19 hose
Barrel Connection	M64 x 4 and G 2"
Telescopic Suction Pipe	470 mm to 925 mm
Outlet Hose	1,5 m with outlet bend of galvanised steel
Directive and Classification	AtEx – II 2/2G c IIA T3



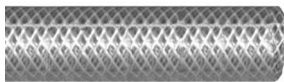
Accessories For Centrifugal Pumps

Hand Nozzels

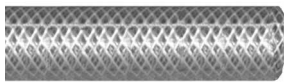


Part Number	Description	Seal Material
9016	Polypropylene 3/4" O.D. (19 mm) Hose Barb Intake	Viton®
9016E	Polypropylene 3/4" O.D. (19 mm) Hose Barb Intake	EPDM
9071	Polypropylene 3/4" O.D. (19 mm) Hose Barb Intake	Viton®
9071E	Polypropylene 3/4" O.D. (19 mm) Hose Barb Intake	EPDM
9070	Polypropylene 1" O.D. (25 mm) Hose Barb Intake	Viton®
9070E	Polypropylene 1" O.D. (25 mm) Hose Barb Intake	EPDM
9026	Stainless 316 1" O.D. (25 mm) Hose Barb Intake	PTFE
9090	PVDF 1" O.D. (25 mm) Hose Barb Intake	Viton®
9090E	PVDF 1" O.D. (25 mm) Hose Barb Intake	EPDM
9091	PVDF 3/4" O.D. (19 mm) Hose Barb Intake	Viton®
9091E	PVDF 3/4" O.D. (19 mm) Hose Barb Intake	EPDM
9030	Aluminium 1" O.D. (25 mm) Hose Barb Intake	Buna

Discharge Hoses



Part Number LH-9032
Description Clear Braided PVC
 1" I.D. x 1.25" O.D. (25 mm x 32 mm)
 Max. Temperature: 40°C
 Max. Operating Pressure: 10 bar / 20°C



Part Number LH-9033
Description Clear Braided PVC
 3/4" I.D. x 1" O.D. (19 mm x 25 mm)
 Max. Temperature: 40°C
 Max. Operating Pressure: 13 bar / 20°C



Part Number LH-2536
Description NBR/Nitril, black
 1" Hose for diesel and petrol
 Max. Temperature: 60°C
 Max. Operating Pressure: 20 bar / 20°C



Part Number 9034M-A
Description Chemical and AtEx Hose
 Optimit hose 1" UHMW PE black conductive
 Suitable for AtEx Zones 0 and 1
 1" I.D. x 1.47" O.D. (25 mm x 37 mm)
 Temperature: -25°C – +100°C depending on liquid
 Max. Operating Pressure: 16 bar
 Material of Construction: Ultra High Molecular Weight Polyethylene
 Note: Designed to be Used for Flammable / Combustible Liquids
 Please contact us for further details as to using it for chemicals.
 Datasheet on request.



Part Number 9034M-B
Description Chemical, AtEx and Food Hose
 3/4" I.D. x 1.22" O.D. (19 x 31 mm) (Part no. 9034M-B1) or
 1" I.D. x 1.50" O.D. (25 x 38 mm) (Part no. 9034M-B2)
 Max. Operating Pressure: 16 bar
 Datasheet on request.



Accessories For Centrifugal Pumps

Barrel Adapters



Part Number	Material	Description
9015	Polypropylene	2" O.D. (51 mm)
8802	Stainless 304 (for 6600 / 6700 & 7600 / 7700 Series)	2" O.D. (51 mm)
9002	Stainless 304 (for SS Series)	2" O.D. (51 mm)
9022	Stainless 304 (for AL Series)	2" O.D. (51 mm)

Fume Barriers



Part Number	Material	Description	Seal Material
9018	Polypropylene	2" (51 mm)	EPDM Seal
8804	Stainless 304 (for 6600 / 6700 & 7600 / 7700 Series)	2" (51 mm)	EPDM Seal
9019	Stainless 304 (for SS Series)	2" (51 mm)	EDPM seal
9024	Stainless 304 (for AL Series)	2" (51 mm)	EDPM seal

IBC Accessories



Part Number	Description	Dimensions
SPE-9020	Pump adaptor for IBC cap	Trisure x Ø 42 mm



SPE-9020A	Special cap	Ø150 mm
SPE-9020B	Special cap	Ø225 mm



SPE-9021A	Thread adaptor for IBC cap	Trisure x R2"
-----------	----------------------------	---------------

Suction Strainers



Part Number	Material	Mesh Size
9011	Polypropylene	.63" x .098" (16 x 2,5 mm)



7012	Stainless 316 (for 6600 / 6700 & 7600 / 7700 Series)	.58" x .051" (14,7 x 1,3 mm)
------	--	------------------------------



9012	Stainless 316 (for SS & AL Series)	.58" x .051" (14,7 x 1,3 mm)
------	------------------------------------	------------------------------

9043	PVDF (Kynar®)	.63" x .098" (16 x 2,5 mm)
------	---------------	----------------------------

Quick Disconnect



Part Number	Material	Description
125A100C	Polypropylene	1.25" Thread x 1" Barb (32 mm x 25 mm)

Wall Bracket & Hand Clamp



Part Number	Description
9006	Stainless Steel Wall Storage Bracket Designed for Pump Storage



9005	Stainless Steel 316 Engineered to Vertically Stabilize Pump
------	--

Heating Jackets (AtEx incl.) for 200 ltr. drums and 1000 ltr. IBC

Standard Pump Europe's heating jackets are the right solution for keeping media at the required temperature. They are made of water resistant materials and are IP 40 classified (IP54 on request). The heating jackets come with quick release buckles for easy installation and removal. All our heating jackets are supplied with 3 meters of braided power cable and fitted with a 0 to +90°C capillary thermostat. The heating jackets are suitable for metal, PP, PE drums and containers.



Heating Jackets for 200 ltr. drums

Part Number SPE-0200-00
Power 230V AC – 1 x 1200 W
Dimensions 1990 x 800 mm
Temperature 0 – 90°C

Part Number SPE-0200-01
Power 230V AC – 1 x 530 W
Dimensions 1990 x 450 mm
Temperature 0 – 90°C

Part Number SPE-0200-LID (to be ordered separately)
Insulation lid for 200 ltr. drums

High Temperature Heating Jacket for 200 ltr. drums

Part Number SPE-0200-02
Power 230V AC – 1 x 1200 W
Dimensions 1990 x 800 mm
Temperature 0 – 200°C

Part Number SPE-0200-LID (to be ordered separately)
Insulation lid for 200 ltr. drums



Heating Jackets for 1000 ltr. IBCs

Part Number SPE-1050-02
Heating Zones 2
Power 230V AC – 2 x 1000 W
Dimensions 4400 x 1000 mm
Temperature 0 – 90°C

Part Number SPE-1050-03
Heating Zones 3
Power 230V AC – 3 x 1000 W
Dimensions 4400 x 1000 mm
Temperature 0 – 90°C

Part Number SPE-1050-LID (to be ordered separately)
Insulation lid for IBC



Base heater for 200 ltr. drums

Part Number SPE-0200-BASE
Diameter 550 mm
Thermostat 0 – 120°C
Power 230V – 900W

AtEx Heating Jackets for 200 ltr. drums and 1000 ltr. IBC

Standard Pump Europe's heating jackets for the AtEX are the right solution for heating and maintaining media at the required temperature. They are made of water resistant materials and are IP 65 classified. The AtEx heating jackets come with quick release buckles for easy installation and removal. The heating jackets are suitable for metal and PE drums and containers. Complete PTFE-(Teflon®) coating for maximum long-life cycle and highest reliability against acids, solvents etc.



AtEx Heating Jackets for 200 ltr. drums

Part Number	SPE-0200-EX
Power	230V AC – 1 x 1050 W
Heating Element	Self-limiting
Temperature Range	To be specified
Dimensions	1990 x 800 mm

Part Number	SPE-0200-LIDEX (to be ordered separately) Insulation lid for 200 ltr. drums
--------------------	--

AtEx Heating Jackets for 1000 ltr. IBCs

Part Number	SPE-1000-EX
Heating Zones	2
Power	230V AC – 1 x 1500 W
Heating Element	Self-limiting
Temperature Range	To be specified
Dimensions	4400 x 1000 mm

Part Number	SPE-1000-LIDEX (to be ordered separately) Insulation lid for IBC
--------------------	---



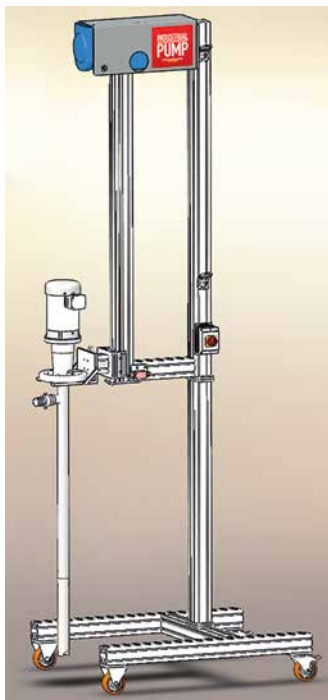
Technical Specifications

Heating Element	Self-limiting
Ambient Temperature	- 55°C – + 55°C (jackets for higher temperature on request)

Directive and Classification

AtEx 2014 / 34 / EC – II 3G Ex e II T2 – T5

Progressive Cavity Pumps and Lifting Device Systems



Lifting Device Systems – details please see page 31.

SP-700SR Progressive Cavity Series

STANDARD's 700SR Series pumps are engineered to transfer viscous materials from drums and ToteTanks®. The progressive cavity design delivers a continuous flow of material with little product degradation. Pumps are available with TEFC and Hazardous Duty motors. Maximum viscosity is 25,000 cps (mPas).

Common Applications

- Polymers
- Adhesives
- Paints
- Resins
- Oils & Greases
- Varnishes

Technical Specifications

Design	Progressive Cavity / Positive Displacement	
Max. Viscosity	• 751 & 752 Series	25,000 cps (mPas)
	• 1851 Series	10,000 cps (mPas)
Discharge Port	1½" (38 mm) Hose Barb Optional 1.25" (32 mm)	
Stator Materials	PFTE or Buna	
Mechanical Seal	SiC/Viton®/SiC	
Immersion Lengths	27" (700 mm) 39" (1000 mm) 47" (1200 mm)	
	<i>Please add 5" (127 mm) to the immersion length of pump for the 752 Series pumps.</i>	
Wetted Material	Tube & Rotor Assembly: Stainless Steel 316	
Stator Material	PTFE or Buna	
Motor Drives	SP-ENC Series	
Fittings	Threaded design enables operator to disassemble pump quickly for cleaning, maintenance and inspection	
Max. Flow Rate	• 1851 Series	45 LPM based on water
	• 751 & 752 Series	26 LPM based on water
Max. Discharge Pressure	• 751 & 1851 Series	6 bar
	• 752 Series	12 bar
Max. Temperature	• Teflon Stator	148°C
	• Buna Stator	85°C
Max. Solid Size	.25" (6 mm)	

Benefits

- Easy To Clean & Maintain
- Interchangeable Motor Drives
- Continuous Flow
- Low Shearing Properties
- Threaded Components

Motor Drives

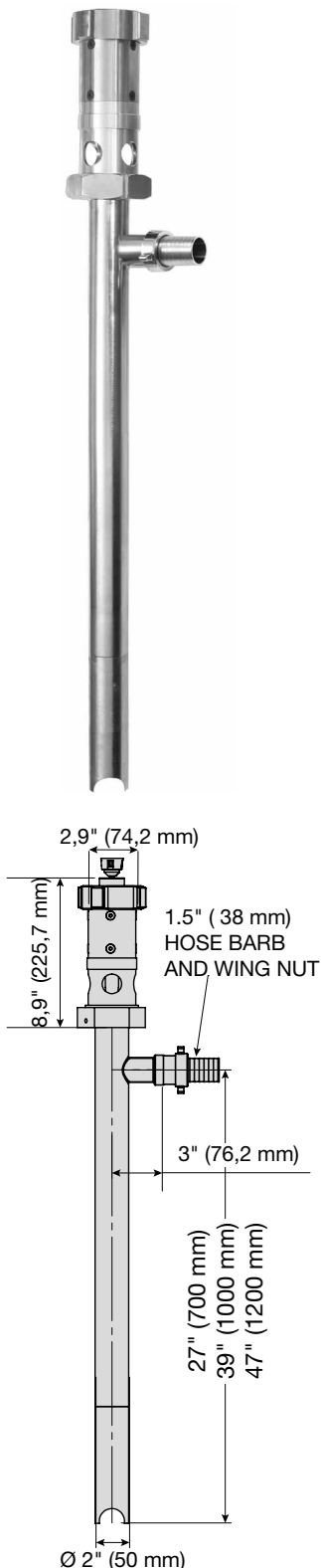


SP-ENC Series



SPE-950 Series

Note: Refer to page 9-10 for motor information



Note: This pump is intended for intermittent duty use only.
Viton® is a registered trademark of DuPont Dow Elastomers.

SP-700DD Progressive Cavity Series

STANDARD's 700DD Series pumps are engineered to transfer viscous materials from drums, Intermediate Bulk Containers (IBC) and large storage vessels. Utilizing the principle of positive displacement, these pumps deliver a continuous flow of material with little product degradation. Pumps are available with a TEFC electric or air powered motors. Maximum viscosity is 100,000 cps (mPas).



Common Applications

- Polymers
- Adhesives
- Paints
- Resins
- Oils & Greases
- Varnishes

Technical Specifications

Design	Progressive Cavity / Positive Displacement	
Max. Viscosity	• 751 & 752 Series	100,000 cps (mPas)
	• 1851 Series	10,000 cps (mPas)
Discharge Port	1½" (38 mm) Hose Barb Optional 1.25" (32 mm)	
Stator Materials	PFTE or Buna	
Mechanical Seal	SiC/Viton®/SiC	
Immersion Lengths	27" (700 mm) 39" (1000 mm) 47" (1200 mm) <i>Please add 5" (127 mm) to the immersion length of pump for the 752 Series pumps</i>	
Wetted Material	Tube & Rotor Assembly: Stainless Steel 316	
Stator Material	PFTE or Buna	
Motor Drives	IEC & Pneumatic	
Fittings	Threaded design enables operator to disassemble pump quickly for cleaning, maintenance and inspection	
Mounting Flange	B14/C140-160	
Max. Flow Rate	• 1851 Series	45 LPM based on water
	• 751 & 752 Series	26 LPM based on water
Max. Discharge Pressure	• 751 & 1851 Series	6 bar
	• 752 Series	12 bar
Max. Temperature	• Teflon Stator	148°C
	• Buna Stator	85°C
Max. Solid Size	.25" (6 mm)	

Motor Drives

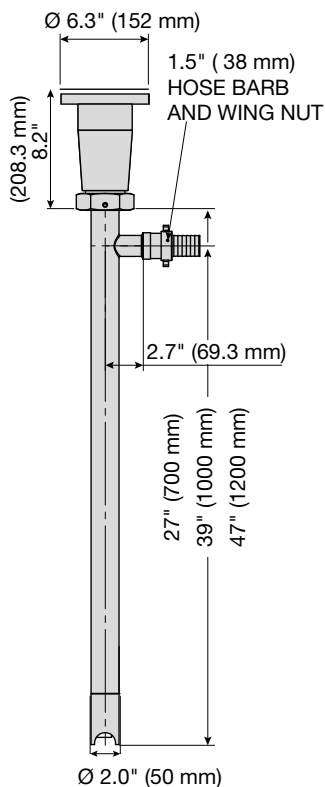


IEC



Pneumatic

Note: Refer to page 32 for motor information



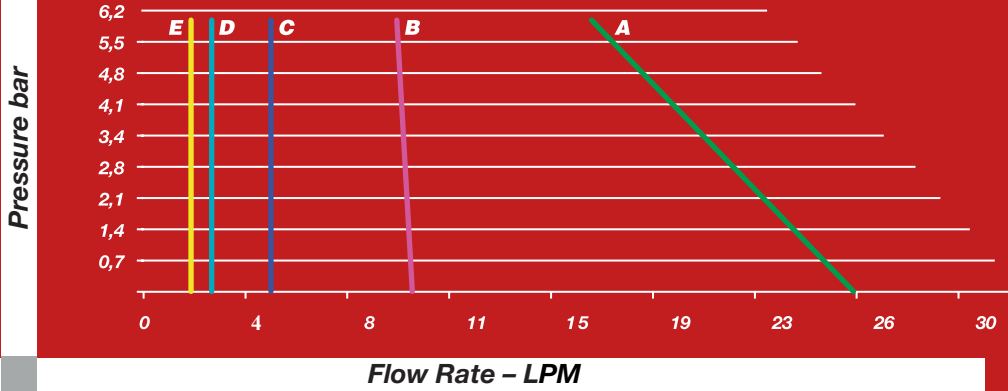
Benefits

- Easy To Clean & Maintain
- Interchangeable Motor Drives
- Continuous Flow
- Low Shearing Properties
- Threaded Components



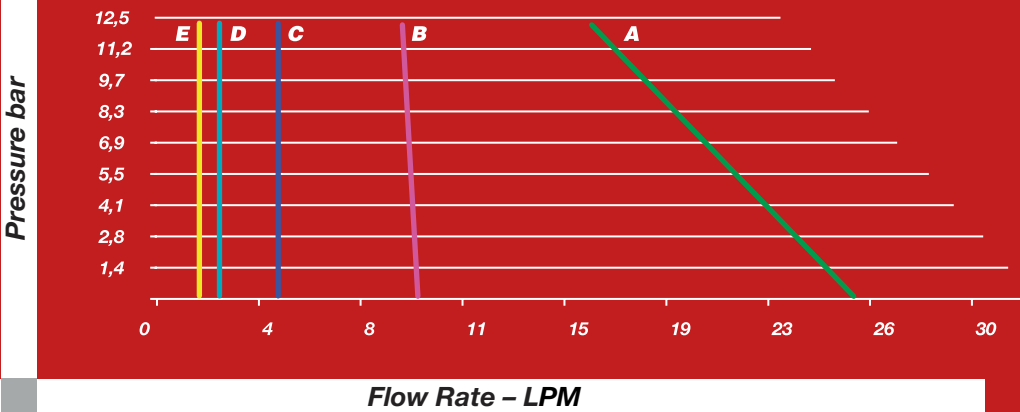
Performance Curves

751 Series Pumps



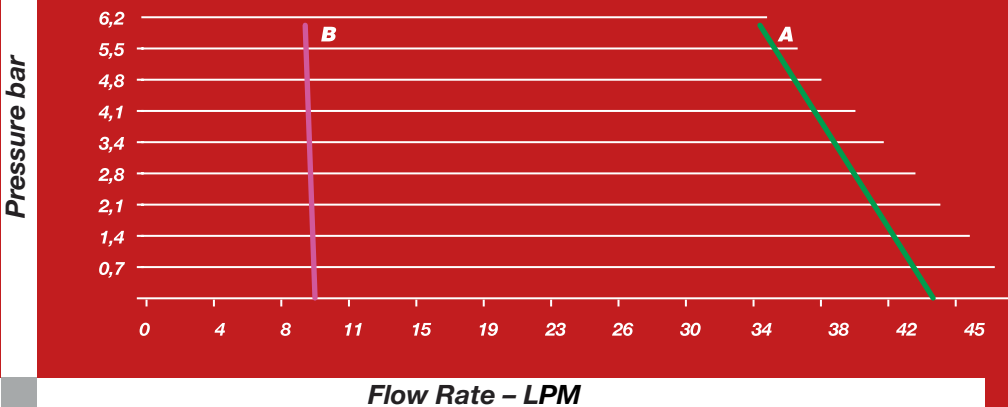
	Viscosity cps (mPas)	Electric HP (KW)	Air HP (KW)
A	1	.75 (.55)	2 (1.5)
B	10,000	.75 (.55)	2 (1.5)
C	30,000	1 (.75)	4 (3)
D	60,000	1 (.75)	4 (3)
E	100,000	1.5 (1.1)	5 (3.7)

752 Series Pumps



	Viscosity cps (mPas)	Electric HP (KW)	Air HP (KW)
A	1	.75 (.55)	2 (1.5)
B	10,000	.75 (.55)	2 (1.5)
C	30,000	1 (.75)	4 (3)
D	60,000	1 (.75)	4 (3)
E	100,000	1.5 (1.1)	5 (3.7)

1851 Series Pumps

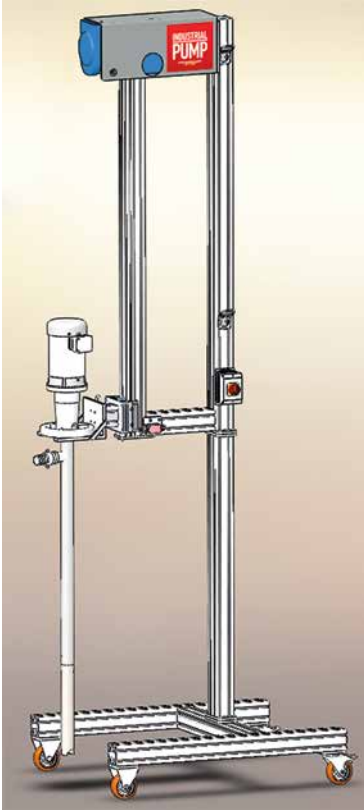


	Viscosity cps (mPas)	Electric HP (KW)	Air HP (KW)
A	1	.75 (.55)	2 (1.5)
B	10,000	.75 (.55)	2 (1.5)

Technical Notes

- Performance Curves are intended to be used as a guide only as individual results may vary.
- Pump Stator Elastomers (Teflon or Buna) may vary performance.
- Performance Curves were created using a 900 RPM motor. Reducing motor speed will decrease pump performance. Do NOT increase motor speed above 900 RPM's.
- Pump Curves were created with a Newtonian Polymer (Viscosity remains constant regardless of shear). Non-Newtonian materials (viscosity does not remain constant with shearing) may vary performance.

Lifting Device Systems for Drum Pumps and Motors



Device for lifting drum pumps with motors in and out of IBC containers or drums

Description	Stand with electric cable winch
Max. Lifting Weight	90 kg
Power Supply	3 x 400V/50Hz with safety switch and low voltage relay automatic on/off at upper and lower end of lifting range other power supply, please contact your distributor

Outer Dimensions (mm):

Outside	1010 mm x 1600 mm
Inside	850 mm (to fit to an IBC container)
Heights	App. 2000 mm
Total Lift	App. 1250 mm
Total Height	App. 3000 mm

Material/Construction:

Anodized Extruded Aluminium Profile

80 mm x 80 mm

Wheels

2 x swivel castors, 2 x fixed castors

Assembled

Semi

Basic Lifting Device

General Description Stand with manual winch

Max. Lifting Weight 60 kg

Outer Dimensions:

Height 2700 mm

Length 1400 mm

Width 1200 mm

Shipping Weight 52 kg

Materials Power coated steel

Wheels 2 x swivel castors

2 x fixed castors

Assembled

Semi



Motors for SP-700DD Pumps



Electric Motor 190/380 // 230/460 / 3 / 50-60 Hz

Part Number	HP	kW	RPM	Enclosure	Frame	Flange
SP-502	0.75	0,55	750–900	TEFC (IP55)	90LC	B14/C140
SP-512	1.0	0,75	750–900	TEFC (IP55)	100LC	B14/C160
SP-522	1.5	1,1	750–900	TEFC (IP55)	100LC	B14/C160
0017	Motor wiring for 230V/3/50-60 Hz					

Pneumatic Motor



Part Number	HP	kW	RPM	Air Consumption	Frame	Air Conn. Inch
SP-A4	2.0	1,5	300–900	80 CFM @ 100 psi 37 L/Sec @ 7 bar	IEC#72/D71	3/8"
SP-A6	4.0	3,0	300–900	130 CFM @ 100 psi 65 L/Sec @ 7 bar	IEC#72/D80	1/2"
SP-A8	5.0	3,7	300–900	170 CFM @ 100 psi 80 L/Sec @ 7 bar	IEC#72/D90	1/2"

Note: Optimal pneumatic motor speed is 900 RPM. Failure to comply may result in pump damage or premature failure.

Accessories for Progressive Cavity Pumps



Discharge Hose Clamp

Part Number	Description
9038	Malleable Iron Two Bolt Clamp Gripping Ridges, Reinforced Lugs Hose Size from 1-48/64" to 2-3/64" (44,50 mm to 52 mm) Torque Value: 27 ft. lbs. (3,75 kg/m) for Proper Attachment



Discharge Hoses

Part Number	Description
9039	Recommended For: High pressure hydraulic oil lines. Tube: Black, oil resistant synthetic rubber. (Nitrile). Reinforcement: One braid of high tensile steel wire. Cover: Black, oil and abrasion resistant synthetic rubber. Flame Resistance: Meets Flame Resistant Designation "GL" Germanischer Lloyd. Meets Flame Resistant Designation "U.S. MSHA" of the US Department of Labor, Mine Safety and Health Administration.

Nom. ID DIN/in/Dash	Nom. OD mm	Bend Radius mm	Vacuum in/mm	Weight kg/m	Temp. Range °C
40 /1.5 /-24	50,5	500	27/685,8	1,59	-34 to 104

Max. Dynamic WP
725/50 psi/bar

Max. Static WP
970/67 psi/bar

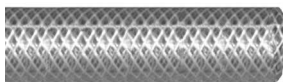
Min. Burst Pressure
2900/200 psi/bar



9034M-B3



Chemical, AtEx and Food Hose
1½" I.D. x 2.01" O.D. (38 x 51mm)
Max. Operating Pressure: 16 bar
Datasheet on request.



LH-9034

Clear Braided PVC
1½" I.D. x 2" O.D. (38 mm x 48 mm)
Max. Temperature: 40°C
Max. Operating Pressure: 5 bar / 20°C

Pump Hanger



Pump Hanger

Part Number	Description
743	Pump Hanger Provides a Convenient Solution for Attaching the Pump to a Hoist System



Quick Disconnect

Part Number	Description
150DSS/150ESS	1.5" (38 mm), SS316 Cam Lever Couplings, Buna N Gaskets, Max. Pressure: 150 psi (10,2 bar).

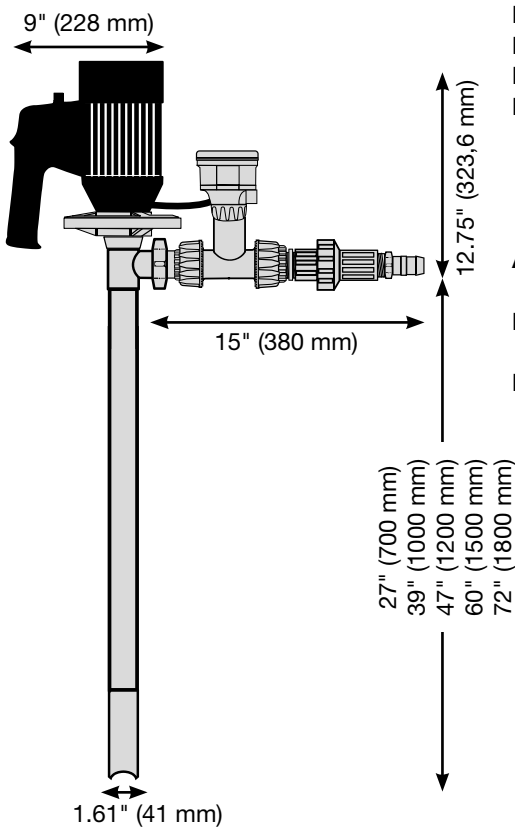
METERING SYSTEMS

ELECTRIC AND AIR



Batch Control System – ELECTRIC (Low Viscosity)

STANDARD's Batch Control System (BCS) is engineered to control, measure and dispense preset volumes of liquid from drums, IBC's, plating tanks or any large storage vessel. The BCS can be used in an industry where batching, chemical packaging or dilution is required to be accurate and efficient. Simply dial in the desired volume, press ENTER and the BCS delivers a preset volume of liquid virtually hands-free.



Common Applications

- Chemical Delivery
- Chemistry For Plating Tanks
- Chemical Packaging
- Water Treatment Chemicals

Features

- 7 Pre-Set Batches
- Measures: Gallons, Liters, Cubic Meters
- Relay Output Signal
- Remote Start Capabilities
- Re-settable Totalizer
- Turbine Paddle Wheel Design
- User Friendly "In Field" Calibration

Technical Specifications

Available Wetted Parts	Polypropylene, PVDF, Ceramic & Halar
Motor Drive	SP-280 Series (IP44) or SP-ENC Series (IP54) (110 – 120 / 220 – 240v)
Discharge Fitting	1" (25 mm) Hose Barb
Pumping Principle	Centrifugal / Seal-less
Flow Range	15,2 LPM – 102,2 LPM
Max. Viscosity	300 cps (mPas)
Immersion Length	27" (700 mm), 39" (1000 mm), 47" (1200 mm), 60" (1500 mm) or 72" (1800 mm)
Accuracy	± 0.61 % of Full Scale ± 1 % of Reading
Max. Temperature	Polypropylene 55°C Stainless & PVDF 80°C
Min. Batch Size	1 Liter

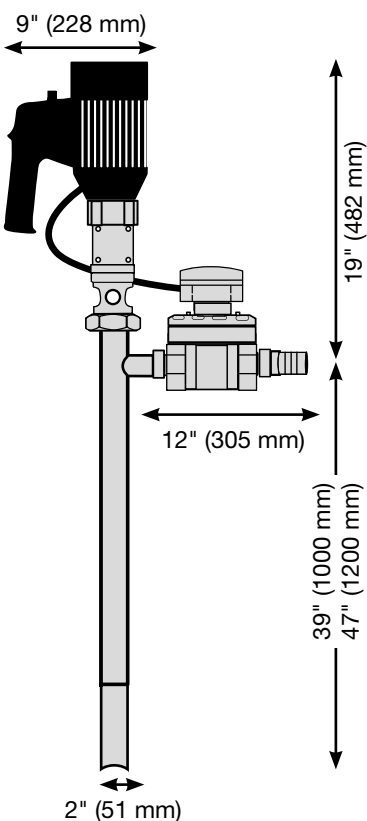


Controller Display



Batch Control System – ELECTRIC (High Viscosity)

STANDARD's Batch Control System (BCS) is engineered for high precision dosing and filling operations containing viscous materials. The Batch Control System is constructed with robust materials and a choice of motor drives, providing versatility and safety for the most challenging applications. Simply dial in desired volume, press ENTER, and the BCS delivers a preset volume of material virtually hands-free.



Common Applications

- Oils
- Paints
- Petroleum Products
- Polymers
- Resins
- Varnishes (non-flammable)

Features

- 7 Pre-Set Batches
- Measures: Gallons, Liters, Cubic Meters
- Oval Gear Design
- Relay Output Signal
- Remote Start Capabilities
- Re-settable Totalizer
- User Friendly "In Field" Calibration

Technical Specifications

Wetted Parts	Sainless Steel 316 / PPS / Aluminum / PTFE
Motor Drive	SP-ENC Series (IP54)
Discharge Fitting	1½" (38 mm) Hose Barb
Mechanical Seal	SiC/Viton®/SiC
Pumping Principle	Progressive Cavity – Positive Displacement
Max. Discharge Pressure	87 psi (6 bar)
Flow Range	9,8 LPM – 45 LPM <i>based on water</i>
System Weight	20 Kg
Immersion Length	39" (1000 mm) or 47" (1200 mm)
Viscosity Range	1-10,000 cps (mPas): Part no. 7611 (230V) – 39" (1000 mm) Part no. 7621 (230V) – 47" (1200 mm) 10,000-25,000 cps (mPas): Part no. 7615 (230V) – 39" (1000 mm) Part no. 7625 (230V) – 47" (1200 mm)
Metering Principle	Oval Gear
Accuracy	± 0.63% of Full Scale ± 1% of Reading
Max. Temperature	80°C

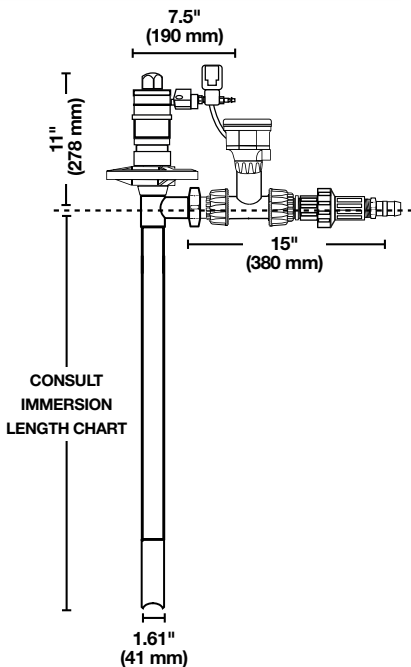


Controller Display

Viton® is a registered trademark of DuPont Dow Elastomers.

Batch Control System – AIR (Low Viscosity)

STANDARD's Batch Control System (BCS) is engineered for high precision dosing and filling operations containing viscous materials. The Batch Control System is constructed with robust materials and a choice of motor drives, providing versatility and safety for the most challenging applications. Simply dial in desired volume, press ENTER, and the BCS delivers a preset volume of material virtually hands-free.



Common Applications

- Chemical Delivery
- Chemistry For Plating Tanks
- Chemical Packaging
- Water Treatment Chemicals

Features

- 7 Pre-Set Batches
- Measures: Gallons, Liters, Cubic Meters
- PP & PVDF Materials of Construction
- Relay Output Signal
- Re-settable Totalizer
- Turbine Paddle Wheel Design
- User Friendly "In Field" Calibration

Technical Specifications

Motor Drive	Air, 1/2 HP (370W)
Discharge Fitting	1" (25 mm) Hose Barb
Mechanical Seal	SiC/Viton®/SiC
Pumping Principle	Centrifugal / Seal-Less
Flow Range	15,2 LPM – 75,7 LPM based on water
Immersion Length	27" (700 mm), 39" (1000 mm), 47" (1200 mm), 60" (1500 mm) or 72" (1800 mm)
Max. Viscosity	300 cps (mPas)
Metering Principle	Turbine (Paddle Wheel)
Accuracy	± 0.61% of Full Scale ± 1% of Reading
Max. Temperature	Polypropylene 55°C PVDF 80°C
Power Supply	230V



Controller Display



Batch Control System – AIR (High Viscosity)

STANDARD's Batch Control System (BCS) is engineered for high precision dosing and filling operations containing viscous duty materials. The Batch Control System is constructed with robust materials and a choice of motor drives, providing versatility and safety for the most challenging applications. Simply dial in desired volume, press ENTER, and the BCS delivers a preset volume of material virtually hands-free.



Common Applications

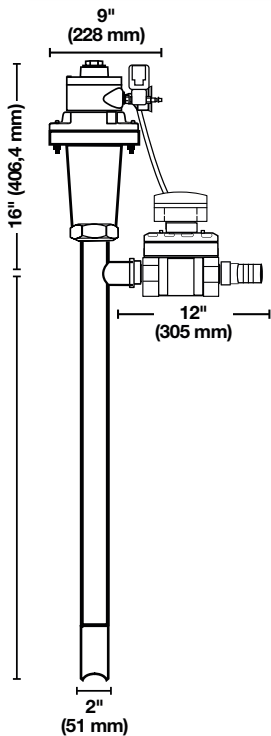
- Oils
- Paints
- Petroleum Products
- Polymers
- Resins
- Varnishes (non-flammable)

Features

- 7 Pre-Set Batches
- Measures: Gallons, Liters, Cubic Meters
- Oval Gear Design
- Relay Output Signal
- Remote Start capabilities
- Re-settable Totalizer
- User Friendly "In Field" Calibration

Technical Specifications

Wetted Parts	SS316 / PPS / Aluminium / PTFE
Motor Drive	Air, 2 HP (1,5 KW)
Discharge Fitting	1½" (38 mm) Hose Barb
Mechanical Seal	SiC/Viton®/SiC
Pumping Principle	Progressive Cavity - Positive Displacement
Flow Range	9,8 LPM – 45 LPM <i>based on water</i>
Max. Discharge Pressure	6 bar
Immersion Length	39" (1000 mm) or 47" (1200 mm)
Viscosity Range	1-10,000 cps (mPas): Part no. 7631 – 39" Part no. 7641 – 47" 10,000-25,000 cps (mPas): Part no. 7635 – 39" Part no. 7645 – 47"
Metering Principle	Oval Gear 220V
Accuracy	± 0.63% of Full Scale ± 1% of Reading
Max. Temperature	80° C
Power Supply	230V



Turbine Flow Meters

STANDARD's Flow Meters address a broad scope of applications ranging from inert solutions to aggressive chemicals. These meters utilize a proven paddle wheel design and are available in a variety of sizes and materials. Meters are available in three configurations: Kits for Drum Pumps, Barb Connections, or Permanent Installation.

Common Applications

- Adding Chemistry to Plating Tanks
- Adding Colors and Fragrances
- Blending Agricultural Products
- Chemical Packaging
- Continuous Flow Measurement
- Gravity Feed Applications From Tanks
- Pump Monitoring

Features

- Battery Status Indicator
- EE Prom Electronics
- IP65 Enclosure
- Measures Flow Rate and Volume
- Re-settable Totalizer
- Two Line Alphanumeric Display Shows Flow Rate & Total Flow Together
- User Friendly "In Field" Calibration

Technical Specifications

Volume Flow Range	5 – 90 LPM
Nominal Width	1" external thread
Viscosity Range	0,8 – 40 mPas
Protection Category	IP 65
Operating Pressure	4 bar
Pulsar Output	Optional, 25 Imp/l
Accuracy Uncalibrated*	± 2%
Accuracy Calibrated*	± 1%
Repeat Accuracy	± 0,5 %
Dimensions Approx.	90 x 130 x 61 mm
Weight Approx.	0,3 kg
Temperature Range	Operation: -10 °C – +50°C Storage: -20°C – +70°C
Battery	Li-MO, Type CR ½ AA, 3,6 V 1200 mAh, exchangeable

Part Number	Type	Material*	Intake
SPE-FMT-PP	FMT II without pulse output	PP	Left
SPE-FMT-PPP	FMT II with pulse output	PP	Left
SPE-FMT-PVDF	FMT II without pulse output	PVDF	Left
SPE-FMT-PVDFP	FMT II with pulse output	PVDF	Left
SPE-FMT-CON	Connector kit for FMT II	PVDF	
SPE-FMT-CONP	Connector kit for FMT II	PP	

*Material of the measuring chamber, measuring chamber lid and the turbine.



Connector kit



Oval Gear Flow Meters

STANDARD's positive displacement flow meters are suitable for measuring a broad scope of materials ranging from water-like liquid to viscous materials. The meter utilizes proven oval gear technology to accurately measure flow rate and volume dispensed. The meter housing is available in Aluminum (with PPS gears) or Stainless Steel (with Stainless gears).



Common Applications

- Filling Applications
- Paints
- Polymers
- Pump Monitoring
- Resins
- Viscous Materials

Features

- EE Prom Electronics
- IP65 Enclosure
- Measures Flow Rate and Volume
- Re-Settable Totalizer
- Two Line Alphanumeric 12 Digit Display Shows Flow Rate & Total Flow Together
- User Friendly "In Field" Calibration

Technical Specifications

Available Sizes	1/2" (13 mm) – 2" (51 mm)
Shaft	Stainless Steel 316
O-Ring	NBR (Nitrile)
Ports	FNPT Inlet and Outlet Connections
Accuracy	± 0.63% of Full Scale ± 1% of Reading
Housing Materials	Aluminum (w/ PPS Gears) or Stainless Steel 316 (w/ Stainless Steel 316 Gears)
Max. Viscosity	1,000,000 cps (mPas)
Units of Measure	Gallons, Liters, Cubic Meters
Max. Temperature	Aluminum 80°C Stainless Steel 316 120°C
Metering Principle	Oval Gear
Max. Pressure	1/2" (13 mm) & 1" (25 mm): 800 psi (55 bar) 1 1/2" (38 mm) & 2" (51 mm): 260 psi (18 bar)
Flow Range	1/2" (13 mm): 1 LPM – 30 LPM 1" (25 mm): 6 LPM – 120 LPM 1 1/2" (38 mm): 10 LPM – 250 LPM 2" (51 mm): 15 LPM – 350 LPM



PlusAir

PlusAir – the brand of air-operated double diaphragm (AODD) pumps

PlusAir is a product line of Standard Pump Europe and offers a wide range of AODD pumps for many different industries, e.g. Automotive, Chemicals, Paints, Inks or Wastewater to meet requirements in all industries.

PlusAir pumps are made by one of the world-wide leading pump manufacturers who has more than half a century of experience in developing and making AODD pumps.

PlusAir AODD pumps ranging from the light weight Polypropylene (1,3kg) version with a maximum capacity of 11,7 l/m to the stainless steel version weighing 104 kg with a maximum flow rate of 814 l/m.

PlusAir pumps are available in Polypropylene, Groundable Acetal, Aluminium, Stainless Steel, Cast Iron and PVDF.

AtEx certified pumps are available in many different sizes and many body and diaphragm materials.

For further details please contact your local distributor or Standard Pump Europe, E-mail: info@standard-europe.eu



PA-25BPS-PP-FL



PA-20BSTU



PA-15FDT

www.standard-europe.eu



Mobile unit

- 1x AODD pump – fully resistant and configured for the chemical feed
- Filter regulator for adjustment of inlet pressure to the pump on the compressed air supply
- Mobile trolley CLM 250, Yellow
- Valves, fittings piping and hoses – material PVC and PP or others on request
- Hoses with cam-lock for easy connection to the pump

Safety Cabinet for AODD



- 1xAODD pneumatic diaphragm pump – fully corrosion resistant and configured for the chemical feed
- PE wall mounted cabinet with pump and extra options pre-assembled and tested
- Suspension fittings for hoses are included
- All options according to the chosen pump configuration and dimensions
- Extra options such as electric boxes, sump detector and instrumentation
- Drain valve for cabinet (delivered separately)

Process Unit



- Intermediate Bulk Container (IBC) Storage Unit
- Collection tray - total volume corresponds to the volume of the receiver tank and the IBC (max total load 2000 kg) – material PE-HD (black)
- Pedestal for one ICB and for improved emptying – material PE-HD (black)
- Receiver tank – with flat tank top and
 - i) Outlet nozzle with dip pipe and DN15
 - ii) Inlet nozzle (in cyl.) with ball valve and hose fitting
 - iii) level pipe transparent (PVC) with magnetic float (PP)
 - iv) Vent. nozzle DN 50 & insect grid
 - v) Inspection hole
 - vi) Reserve nozzle with screw connection DN25 – material PE-HD (black)
- Connection set for IBC outlet – ball valve DN25, 2m pvc hose d32, 2x VA-hose clamps, 1x elbow 90° with union nut and hose nozzle, 1x turned part
- Fittings and pipes: PVC, seals: EPDM or FPM

Pure Pump

The sanitary line from Standard Pump Europe, is the perfect solution for all transportation of liquids and high viscosity ingredients in the food and pharmaceutical industry.

All pumps within our PURE PUMP series are available from local distributors all over Europe. Our distributors can help you answering technical question as well as support you in the correct pump selection for your application. Fast delivery time from the European warehouse in Denmark.

- Certificates
 - FDA
 - 3A
 - ATEX
- Surface: 32 Ra (µm)
- Tri-clamp connection. Optional hose connection
- Long lasting ball bearings
- Centrifugal pumps are designed without shaft seal – dry running and high back pressure allowed
- Impeller made from SS 316L
- Tri-clamp connections offers fast disassembly and cleaning



Drum pumps and AODD pumps for food-, pharmaceutical and cosmetic industry.

Sanitary AODD Pump



Drum Pump



Standard Pump Europe offer pump solutions for almost all industries and applications



PHARMACEUTICAL



BIOTECH



COSMETIC



FOOD



BEVERAGE



POULTRY

INDUSTRIAL PUMP

Additional Markets Served:



Pure Pump
- The Sanitary Line



Pure Pump
- AODD Series



PlusAir AODD Pumps
Industrial and FDA compliant



AdBlue
- DEF Pumps



Safety Comes Standard™

STANDARD PUMP
Europe

Rønnekrogen 2
3400 Hillerød
Denmark

Tel +45 7023 2100
Fax +45 7023 5655

www.standard-europe.eu

STANDARD
Pump

1610 Satellite Blvd., Suite D
Duluth, GA 30097
USA

Tel +1 770 307 1003
Fax +1 770 307 1009

www.standardpump.com

Distributed By:

